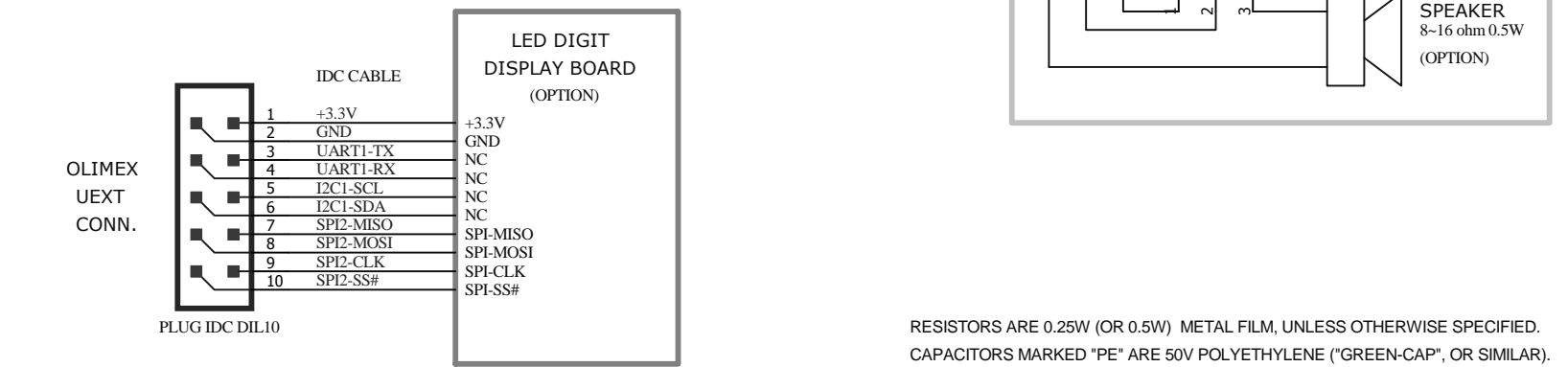
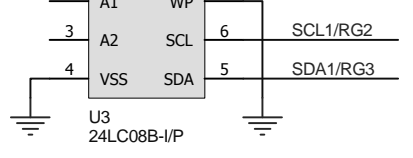
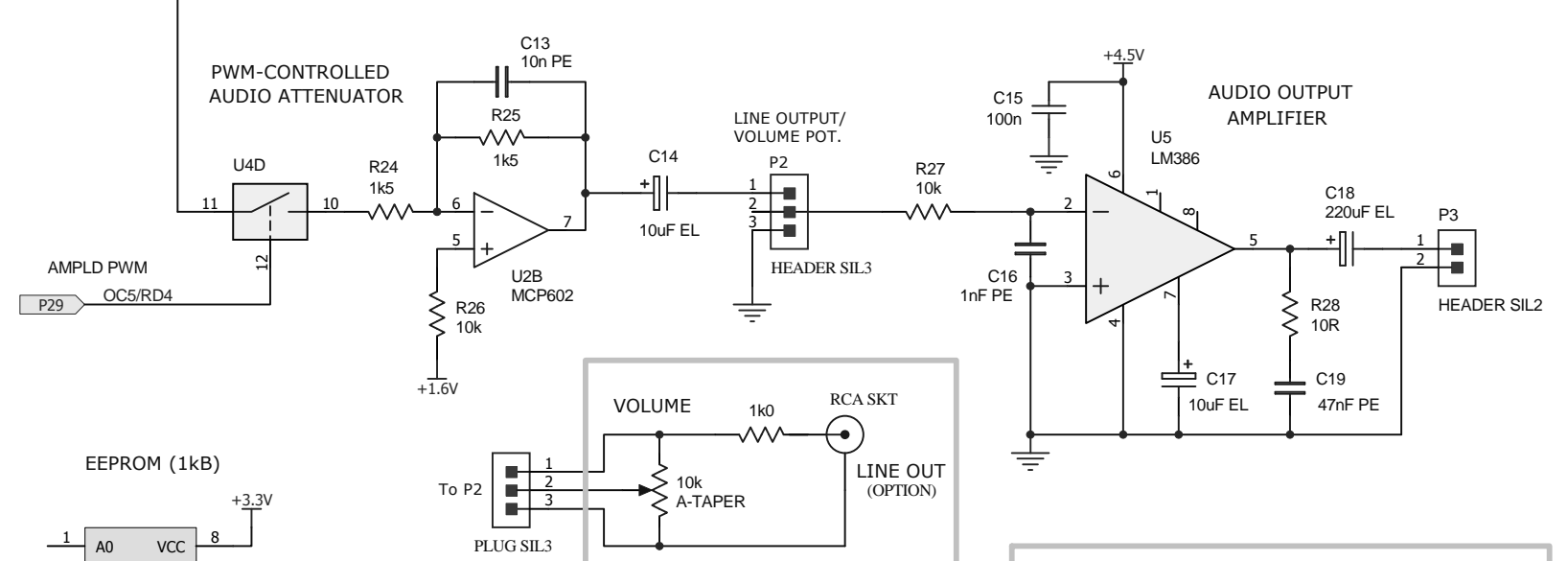
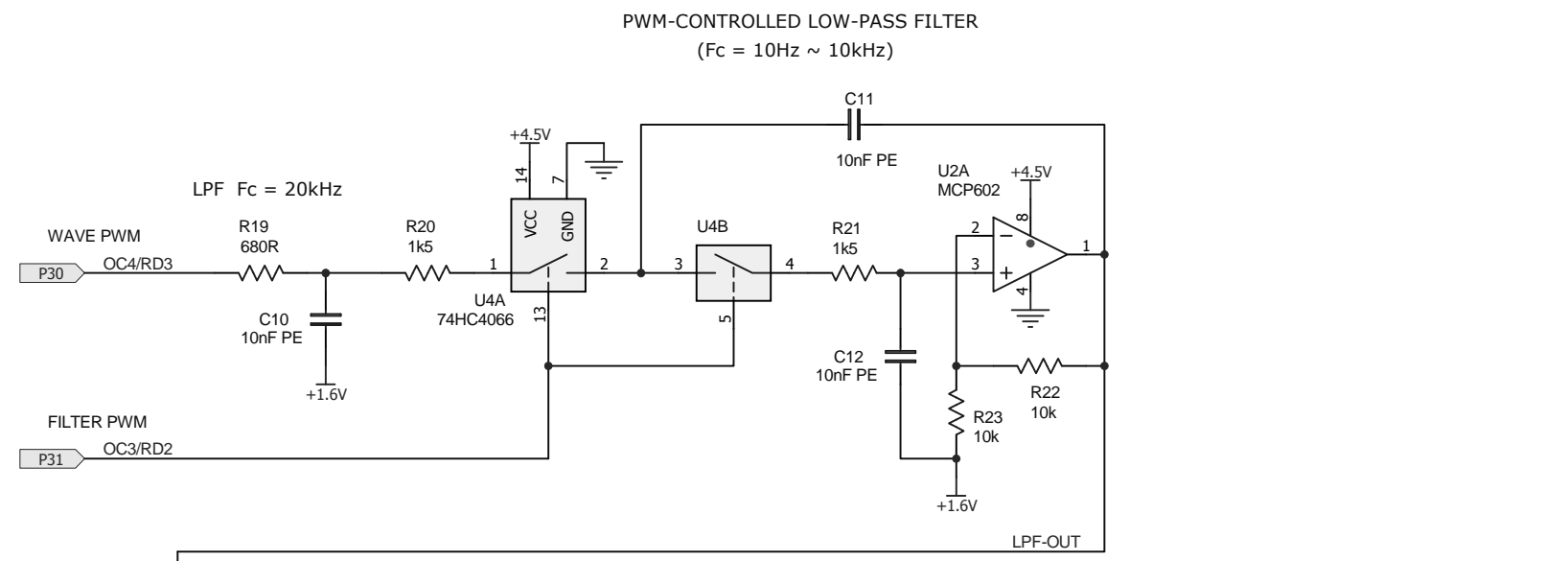
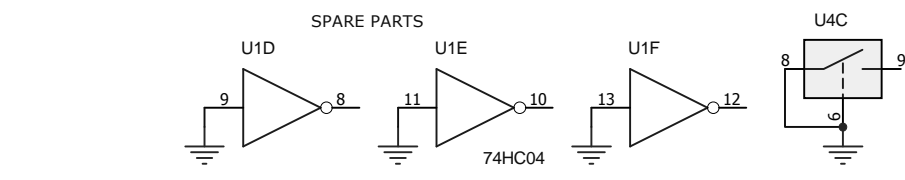


* REMOVE G2 (BRIDGE RECT.) FROM OLIMEX BOARD
 SOLDER A WIRE LINK FROM J1 OUTER RING PAD TO GND
 SOLDER DIODE D5 FROM J1 INNER PIN PAD TO G2(+) PAD



RESISTORS ARE 0.25W (OR 0.5W) METAL FILM, UNLESS OTHERWISE SPECIFIED.
 CAPACITORS MARKED "PE" ARE 50V POLYETHYLENE ("GREEN-CAP", OR SIMILAR).



REMI Controller (mk2) - 'Minor' Variant using Olimex PIC32-MX340 Prototyping Board		
100% size: A3	Originated: 2016-10-20, MJB	Sheet 1 of 1
Copyright 2016++ M.J.Bauer		www.mjbauer.biz
File: REMI_Minor_controller_v2.3.Sch	v2.3, 2017-04-10	