

|   |                             |              |
|---|-----------------------------|--------------|
| <b>REMI 'Major' Controller, rev.B</b>             |                             |              |
| Additions to Olimex PIC32-MX340 Prototyping Board |                             |              |
| 100% size: A3                                     | Originated: 2016-10-20, MJB | Sheet 1 of 2 |
| Copyright 2016++ M.J.Bauer                        | www.mjbauer.biz             |              |
| File: REMI_Major_controller_v1.4_s1.Sch           | v1.4, 2017-04-24            |              |

\* REMOVE G2 (BRIDGE RECT.) FROM OLIMEX BOARD  
 SOLDER A WIRE LINK FROM J1 OUTER RING PAD TO GND  
 SOLDER DIODE D5 FROM J1 INNER PIN PAD TO G2(+) PAD

RESISTORS ARE 0.25W (OR 0.5W) METAL FILM, UNLESS OTHERWISE SPECIFIED.  
 CAPACITORS MARKED "PE" ARE 50V POLYETHYLENE ("GREEN-CAP", OR SIMILAR).

D

D

C

C

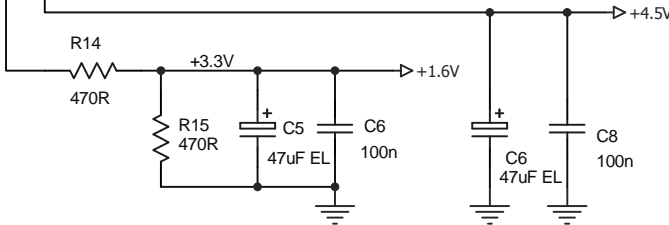
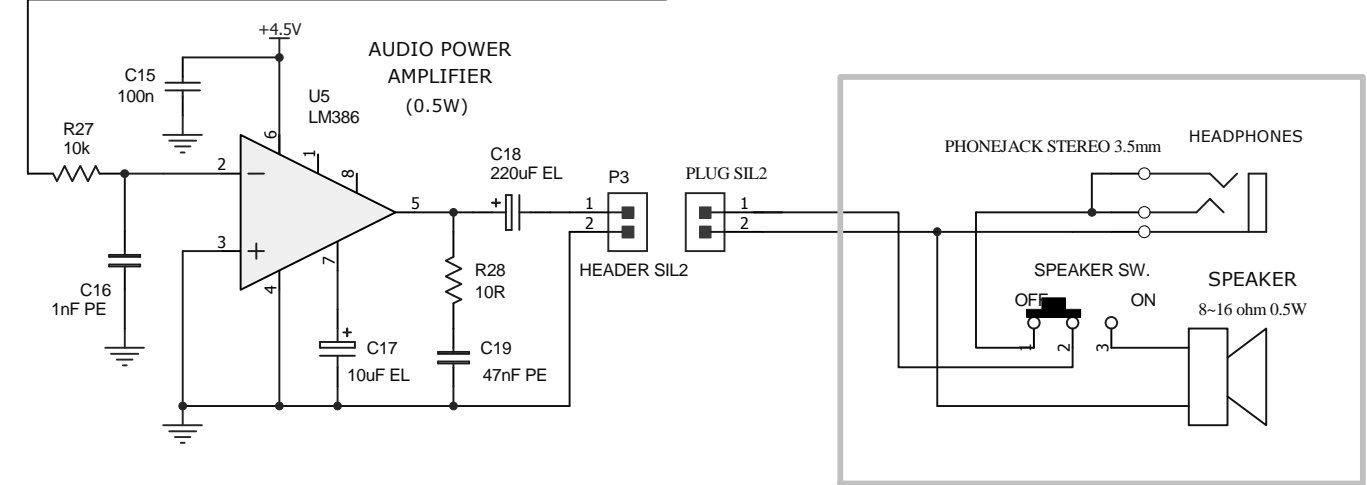
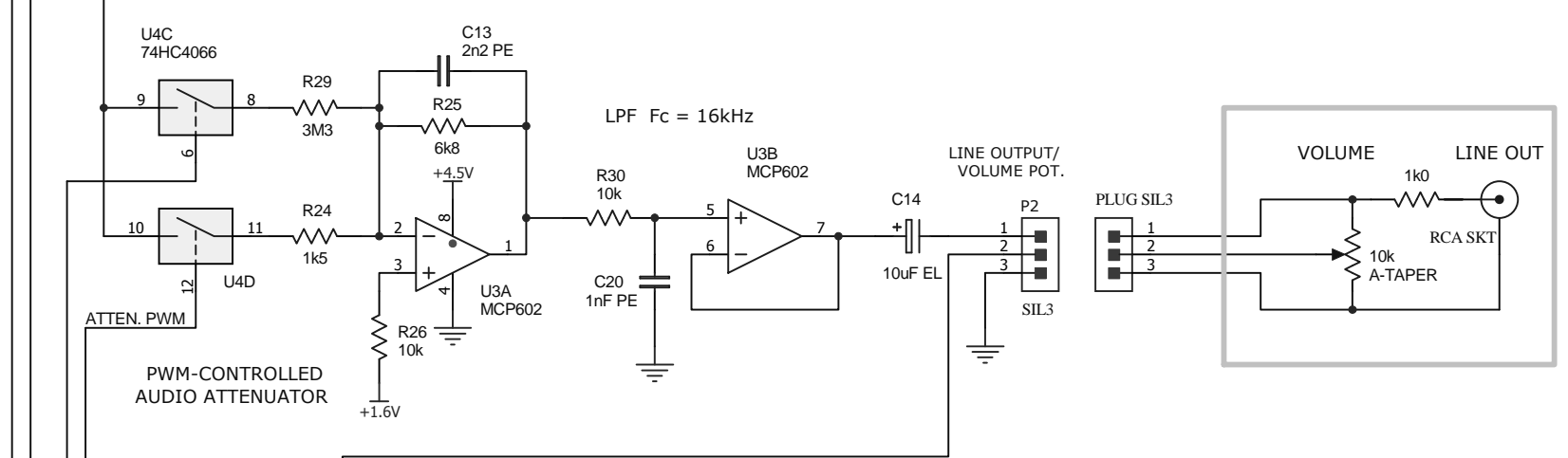
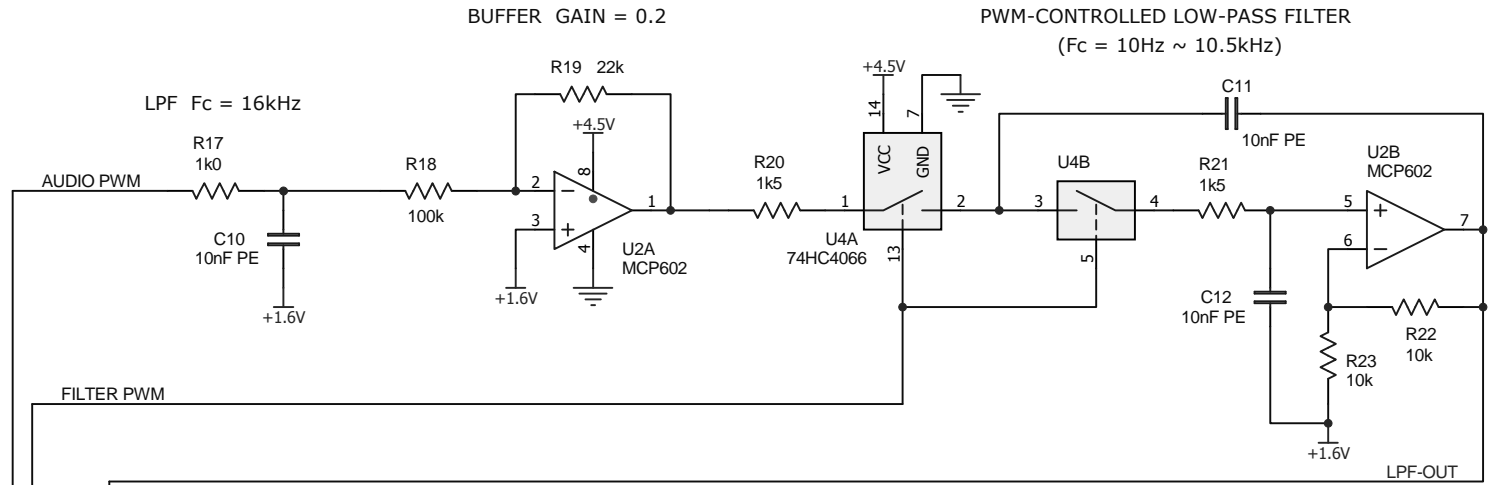
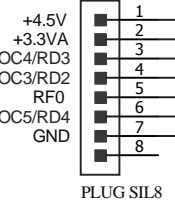
B

B

A

A

TO MAIN BOARD



| REMI 'Major' Controller, rev.B<br>AUDIO EXTENSION BOARD |                             |              |
|---|-----------------------------|--------------|
| 100% size: A3   | Originated: 2016-10-20, MJB | Sheet 2 of 2 |
| Copyright 2016++ M.J.Bauer                              | www.mjbauer.biz             |              |
| File: REMI_Major_controller_v1.4_s2.Sch                 | v1.4, 2017-04-24            |              |

RESISTORS ARE 0.25W (OR 0.5W) METAL FILM, UNLESS OTHERWISE SPECIFIED. CAPACITORS MARKED "PE" ARE 50V POLYETHYLENE ("GREEN-CAP", OR SIMILAR).