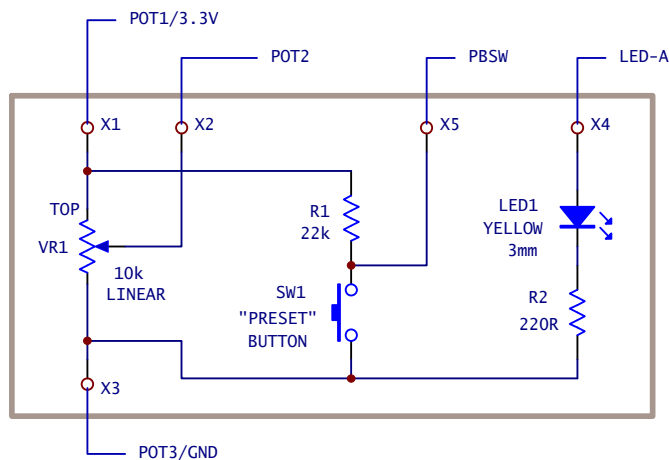
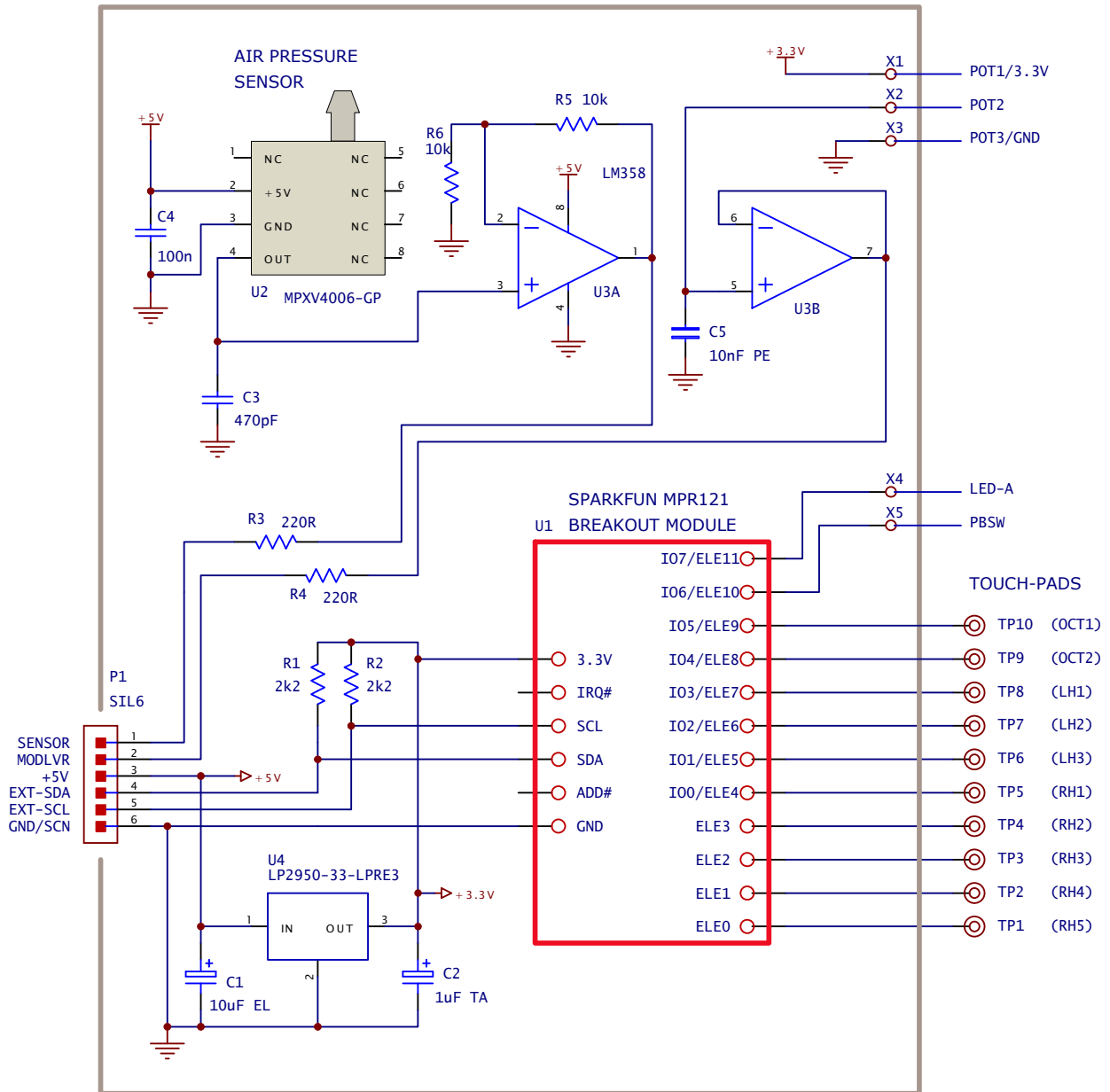


# HANDSET CIRCUIT BOARD



MODULATION LEVER SUB-ASSEMBLY

## REMI Handset Schematic

(Rev2: 2016-07-03)

100% size: A4	Drawn: MJB 2016-05-13	Sheet 1 of 1
Copyright 2016++ M.J.Bauer		www.mjbauer.biz
File: REMI_handset_schem.Sch		