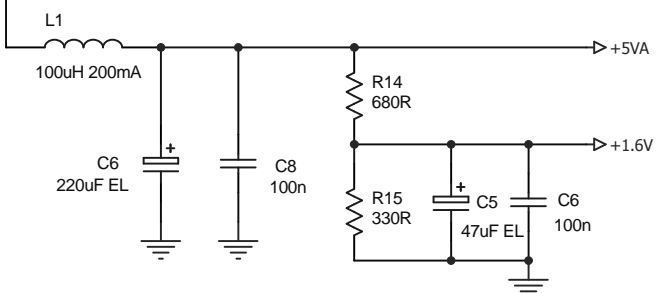
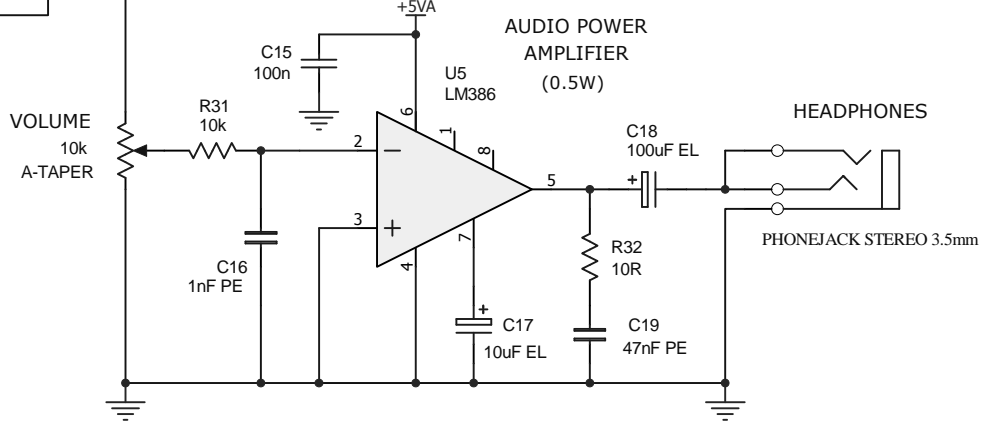
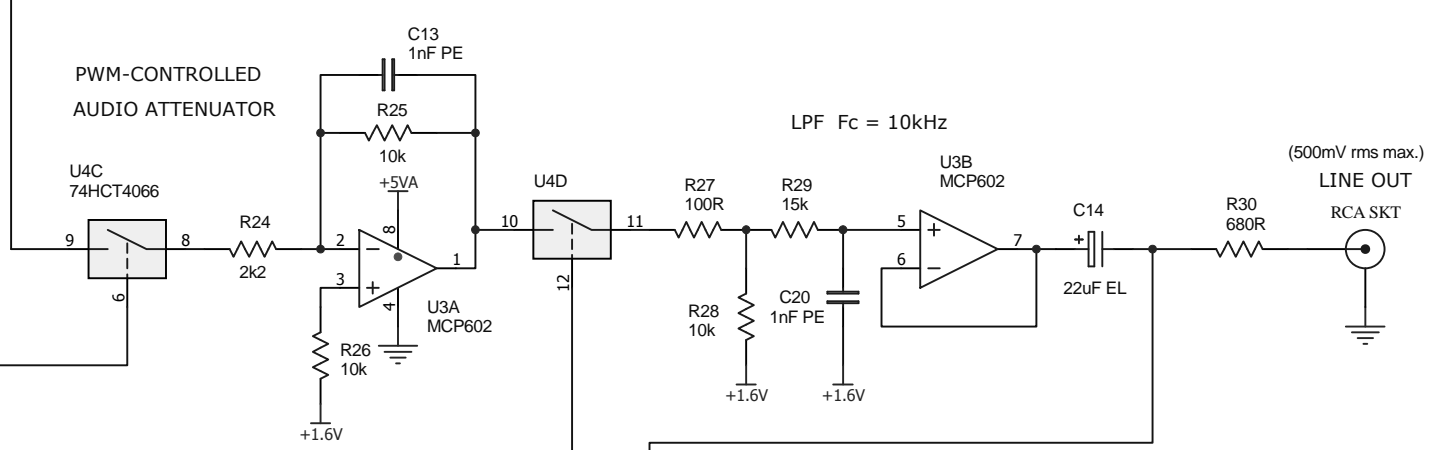
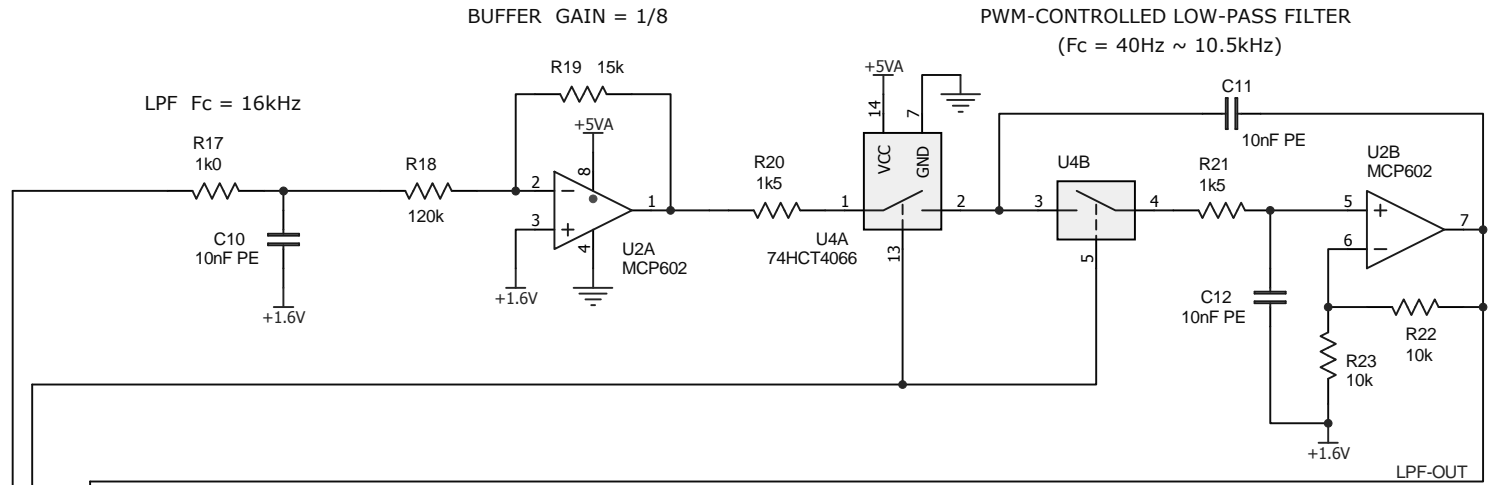
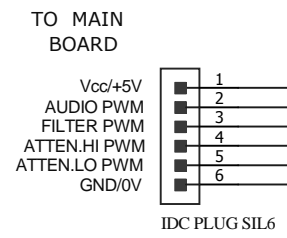


\* REMOVE G2 (BRIDGE RECT.) FROM OLIMEX BOARD  
SOLDER D4, U2, C5, C6 & C7 IN PROTO. AREA  
SOLDER A WIRE LINK FROM J1 OUTER RING PAD TO GND  
WIRE DIODE D4 FROM J1 INNER PIN TO U2 PIN1 (IN)  
SOLDER U2 PIN3 (OUT) TO G2(+) PAD (= VR1/LM1117 INPUT)

RESISTORS ARE 0.25W (OR 0.5W) METAL FILM, UNLESS OTHERWISE SPECIFIED.  
CAPACITORS MARKED "PE" ARE 50V POLYETHYLENE ("GREEN-CAP", OR SIMILAR).

<b>REMI Controller Module Prototype, mk1</b>		
Based on Olimex PIC32MX340 Prototyping Board		
100% size: A3	Originated: 2016-10-20, MJB	Sheet 1 of 2
Copyright 2016, 2017 M.J.Bauer		www.mjbauer.biz
File: REMI_Controller_RevC_s1.Sch	v1.7, 2017-12-20	



REMI Controller Module Prototype, mk1		
AUDIO EXTENSION BOARD (rev.C)		
100% size: A3	Originated: 2016-10-20, MJB	Sheet 2 of 2
Copyright 2016, 2017 M.J.Bauer		www.mjbauer.biz
File: REMI_Controller_RevC_s2.Sch	v1.7, 2017-12-28	

RESISTORS ARE 0.25W (OR 0.5W) METAL FILM, UNLESS OTHERWISE SPECIFIED.  
CAPACITORS MARKED "PE" ARE 50V POLYETHYLENE ("GREEN-CAP", OR SIMILAR).