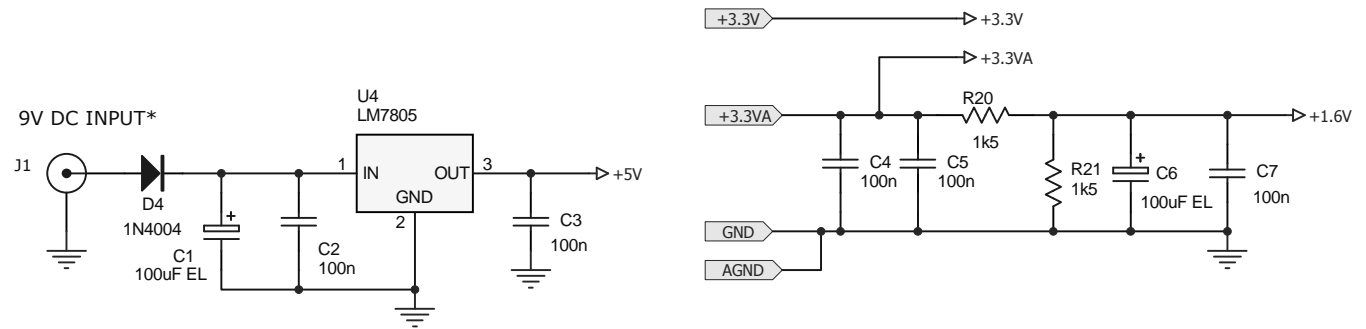
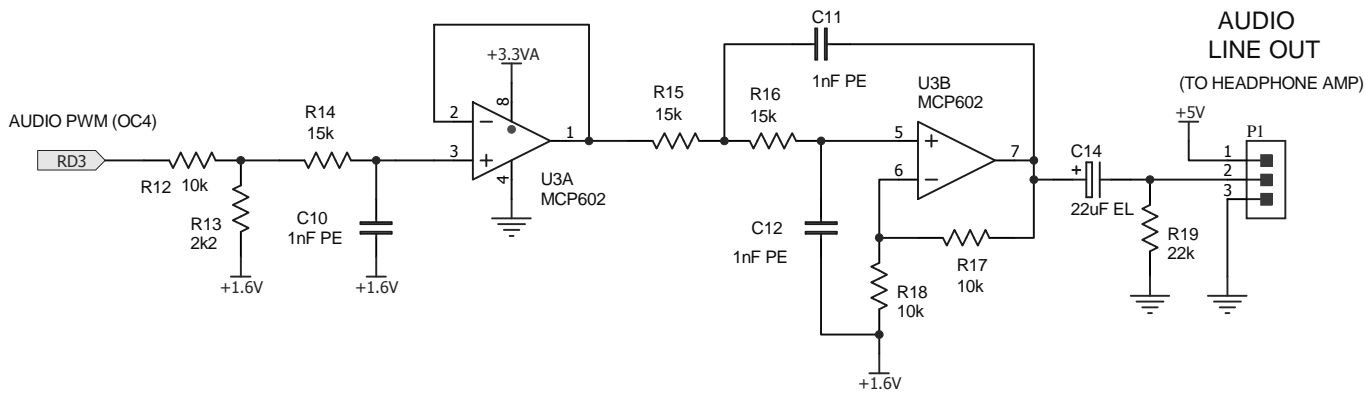
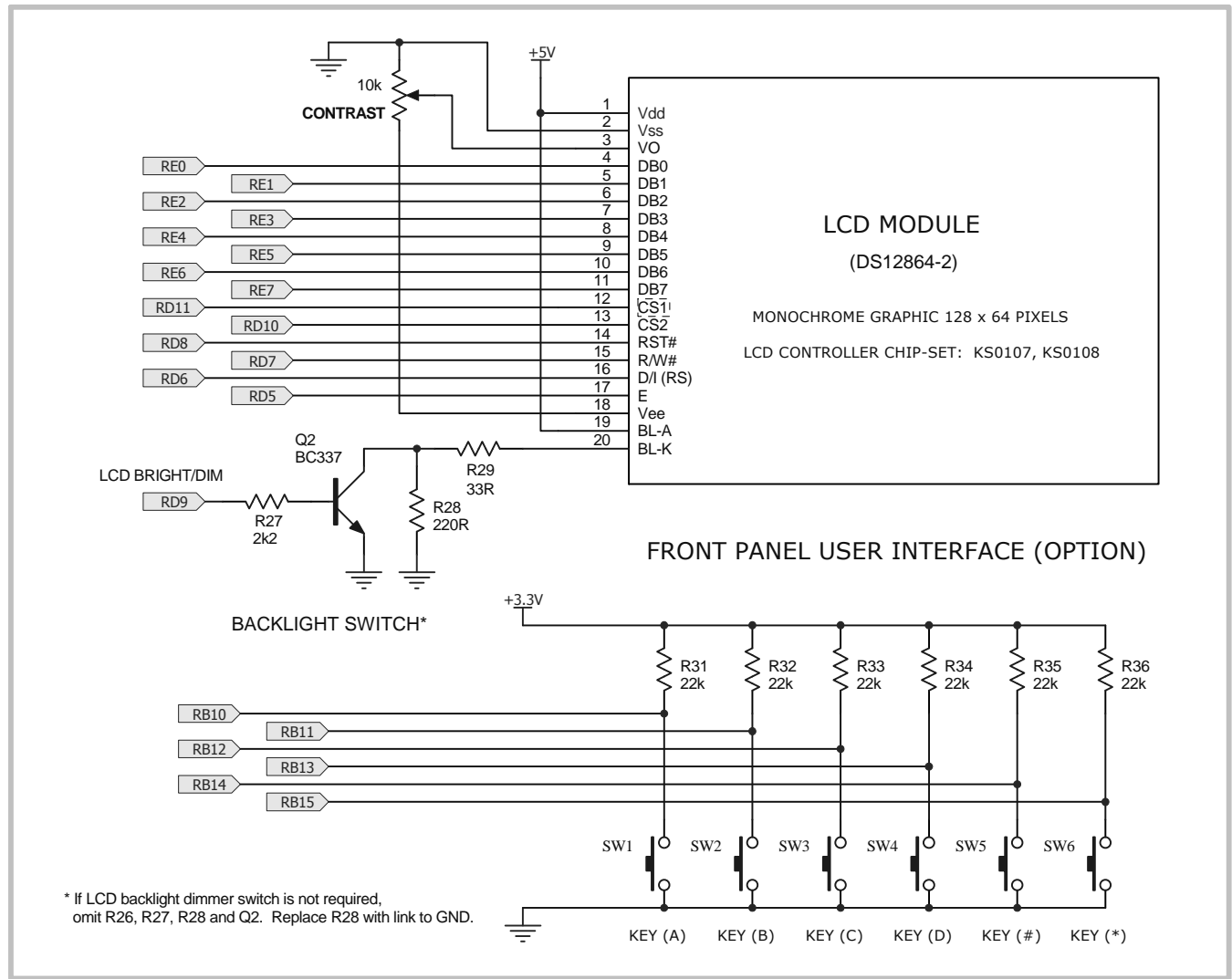
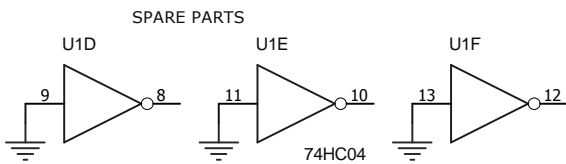


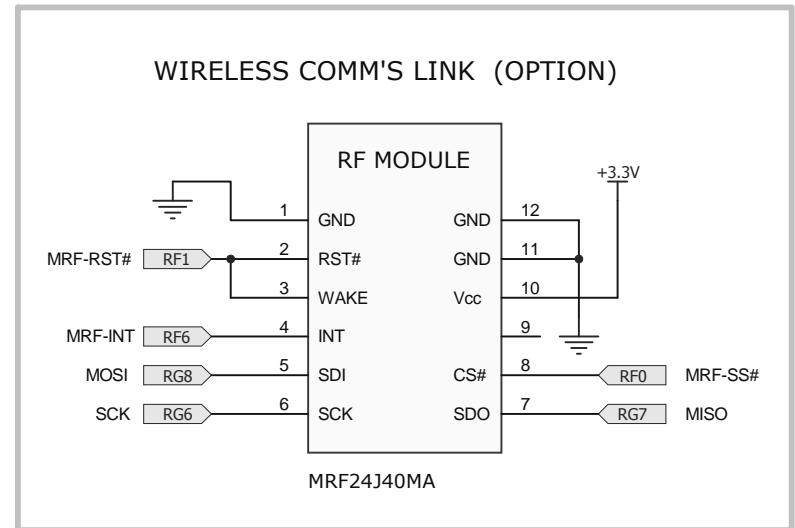
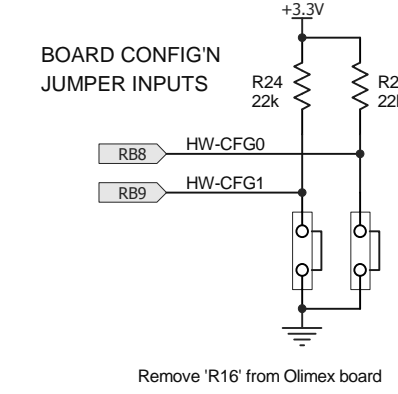
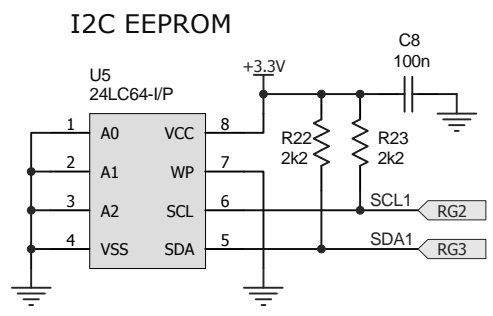
LOW-PASS FILTER, 3RD-ORDER, Fc = 10kHz



* REMOVE EXISTING BRIDGE RECT. (G2) FROM OLIMEX BOARD
 MOUNT THE LM7805 (TO-220 PKG) IN PROTOTYPING AREA
 SOLDER A WIRE LINK FROM DC-IN SKT (J1) OUTER RING TO GND
 SOLDER 1N4004 DIODE (D4) FROM J1 INNER PIN TO 7805 PIN1 (IN)
 SOLDER 7805 PIN3 TO EXISTING LM1117 (VR1) INPUT (G2+ PAD)



* If LCD backlight dimmer switch is not required, omit R26, R27, R28 and Q2. Replace R28 with link to GND.



RESISTORS ARE 0.25W (OR 0.5W) METAL FILM, UNLESS OTHERWISE SPECIFIED.
 CAPACITORS MARKED "PE" ARE 50V POLYETHYLENE ("GREEN-CAP", OR SIMILAR).

PIC32 AUDIO SYNTH MODULE + MIDI		
Based on Olimex PIC32MX340 Prototyping Board		
100% size: A3	Originated: 2018-01-20, MJB	Sheet 1 of 1
Copyright 2018++ M.J.Bauer	www.mjbauer.biz	
File: PIC32MX_synth_Olimex_proto.Sch	v2.1, 2018-10-15	