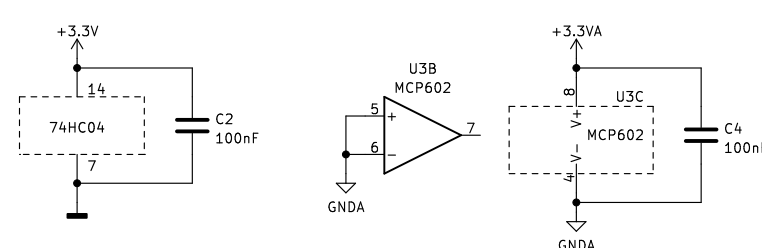
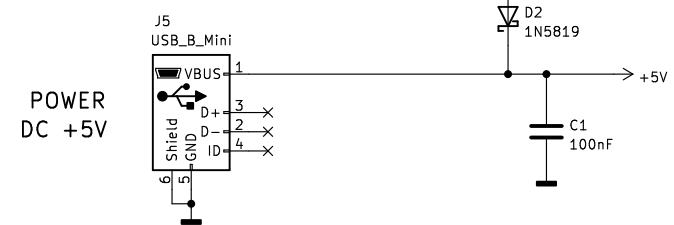
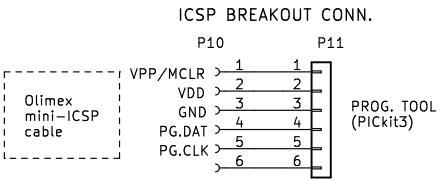
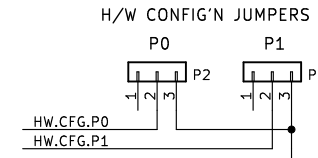
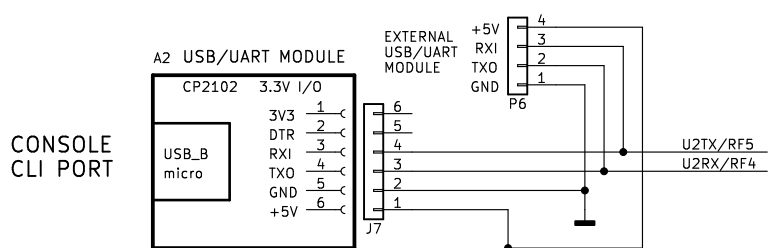
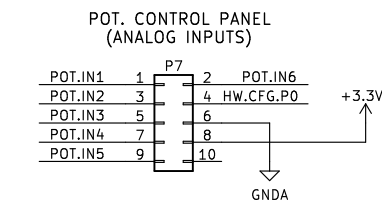
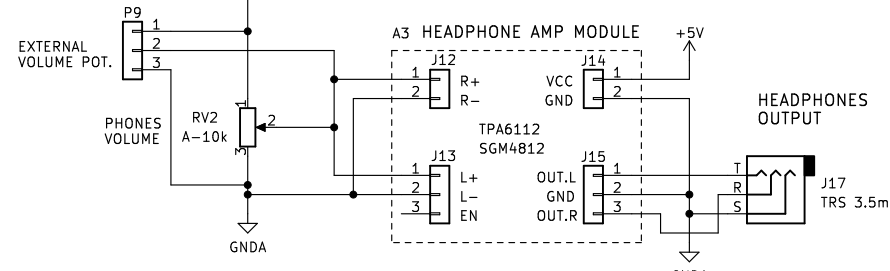
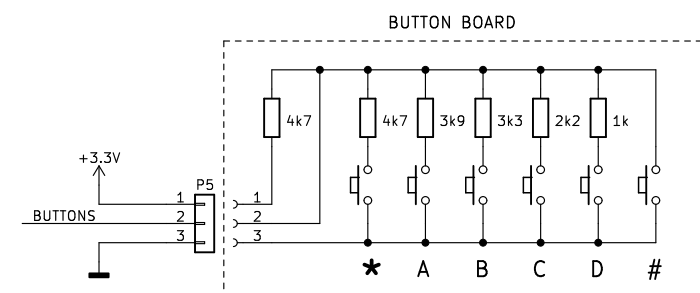
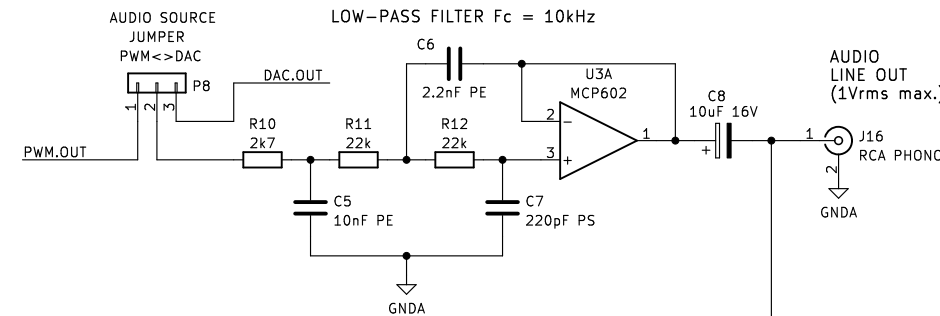
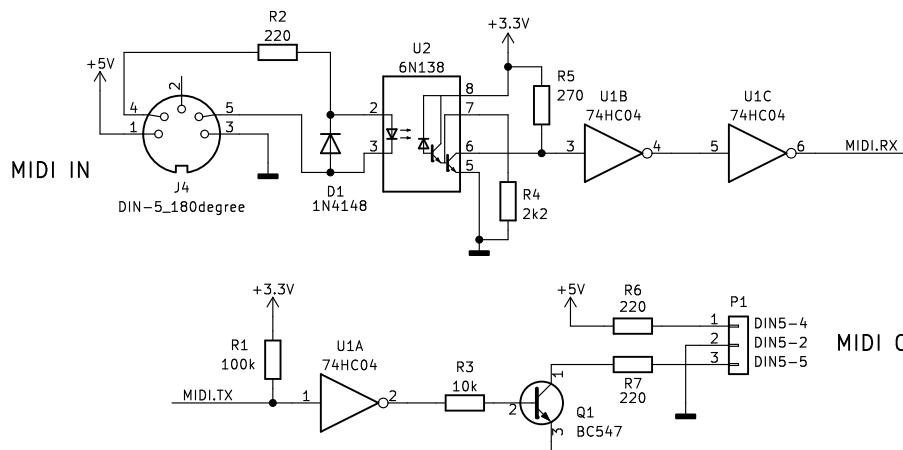
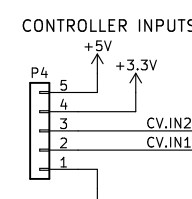
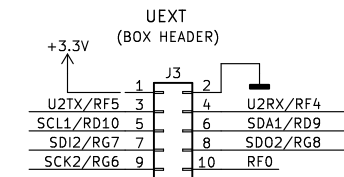
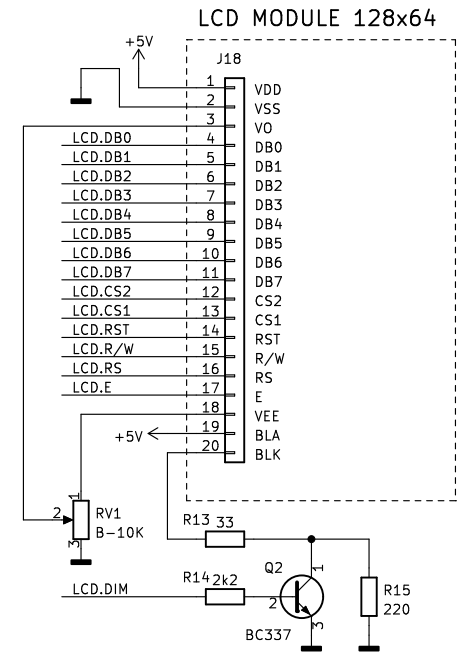
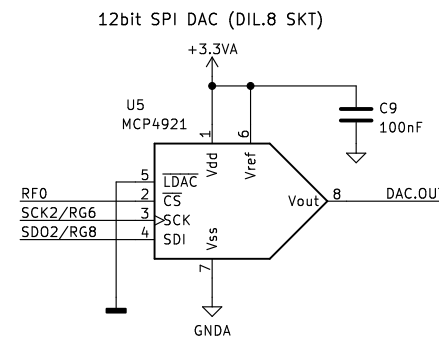
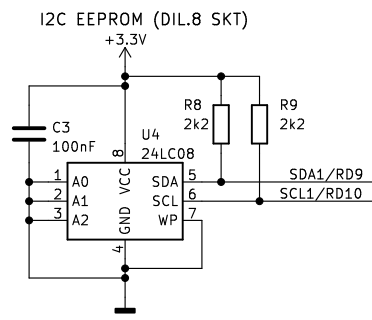
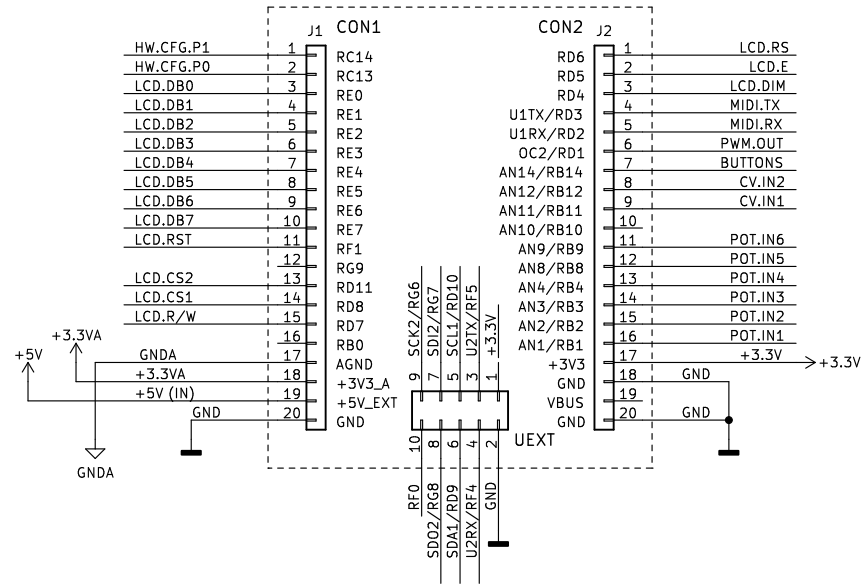


Olimex MCU MODULE
PIC32-PINGUINO-MICRO



- CIRCUIT NOTES:**
- Resistors are 1/4 W or 1/2 W metal film (1-2%)
 - Bypass caps are 100nF 50V mono. ceramic
 - Caps marked 'PE' are 50V polyester or polycarb.
 - Caps marked 'PS' are polystyrene or ceramic NPO
 - Volume pot RV2 should be audio (A) taper
 - MIDI IN DIN.5 skt pins 1 & 3 supply 5V power to REMI-2 handset